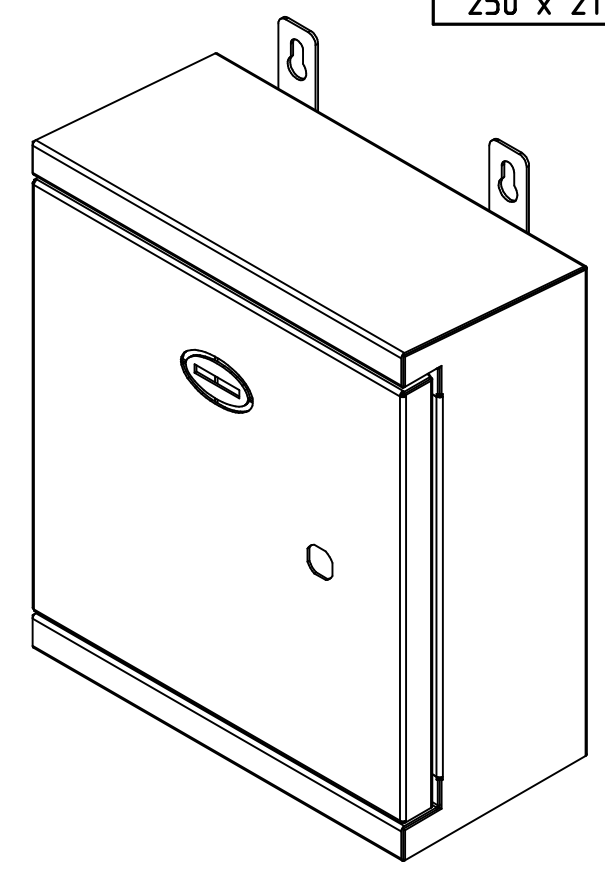


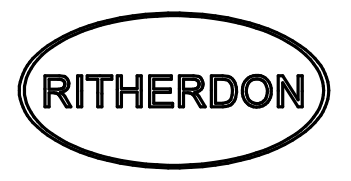
Backboard size:
250 x 210 mm



Unit weight: 6.0 kg

DRAWN	Mark Blease	DATE	03 . 7 . 2012
CHECKED	Brian Derbyshire	DATE	03 . 7 . 2012
APPROVED	Brian Derbyshire	DATE	03 . 7 . 2012

ISSUE	DATE	MOD. NO.	DRN



COPYRIGHT IS STRICTLY RESERVED

TOLERANCES
 WHOLE NUMBERS +/- 0.5
 1 DECIMAL PLACE +/- 0.2
 HOLES +/- 0.15
 UNLESS OTHERWISE STATED

MATERIAL
 1.5mm / 2mm
 Stainless Steel

FINISH
 Powder
 Coated

TITLE
 RB300 Wall Mounted Cabinet GA

SCALE	DRAWING NO.	[SHEET]	ISSUE
NTS	S 8985	1	-