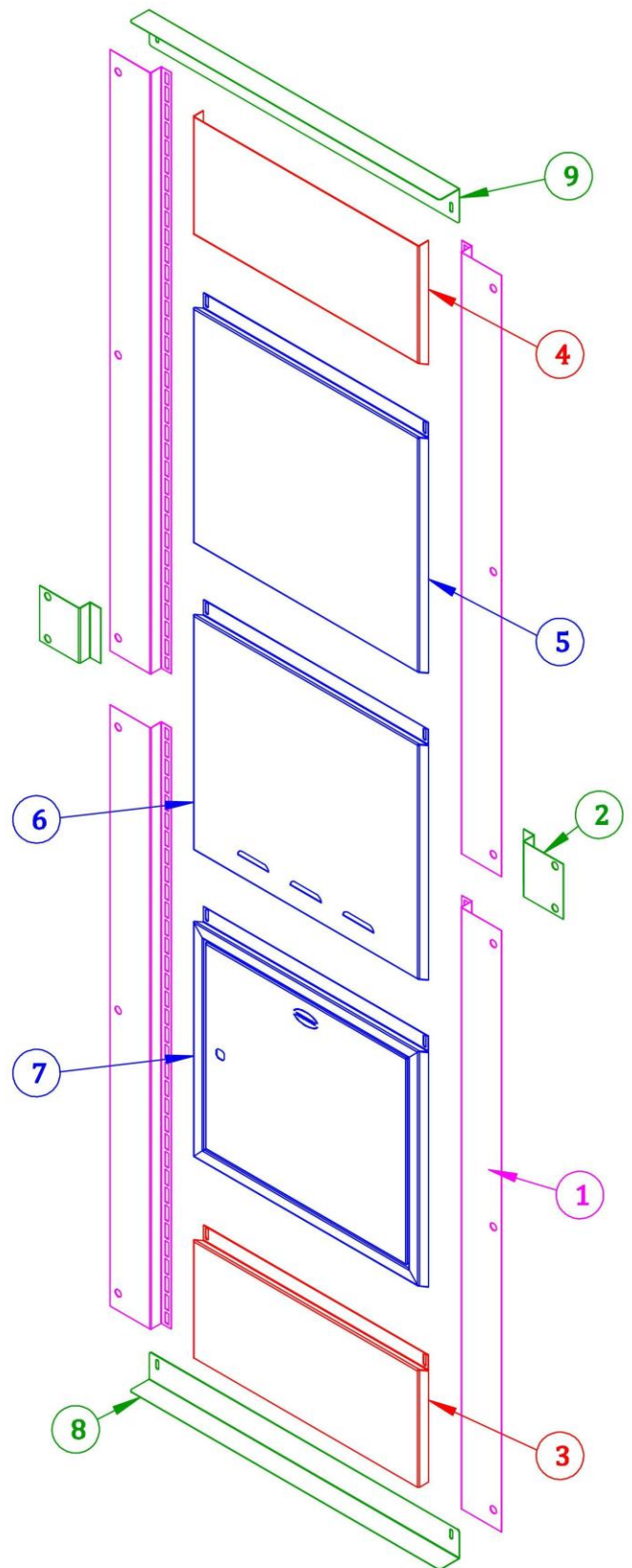


RISER FIRESEAL

Installation instructions

Component Identification

- (1) Side Rail
- (2) Joint Strap
- (3) Lower Panel
- (4) Upper Panel
- (5) Panel (Option)
- (6) Vent Panel (Option)
- (7) Access Panel (Option)
- (8) Lower Closer (60mm)
- (9) Upper Closer (75mm)

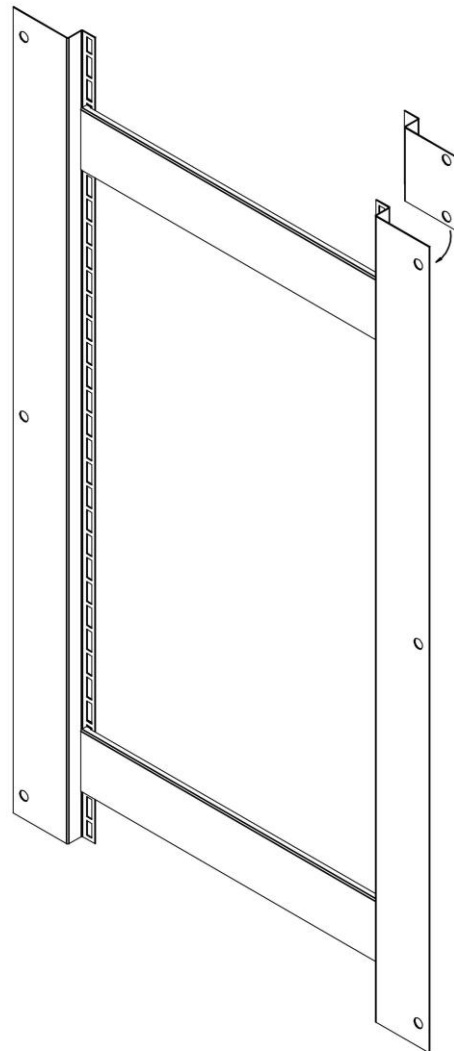


Lower Side Rail

1. Using the guides provided, set the lower **Side Rails (1)** in position, ensuring they are level and square. The Side Rails should touch the floor. Mark the fixing holes.
2. FOR MASONRY: drill 6mm holes to minimum 50mm deep and install the metal wall plugs provided.
FOR TIMBER: drill suitable pilot holes.
3. Fix the Side Rails using the special screws and 25mm diameter washers provided.
NOTE: Leave the two bottom fixings, these will be fitted later.
NOTE: The **Joint Straps (2)** should be fitted behind the Side Rails as shown.

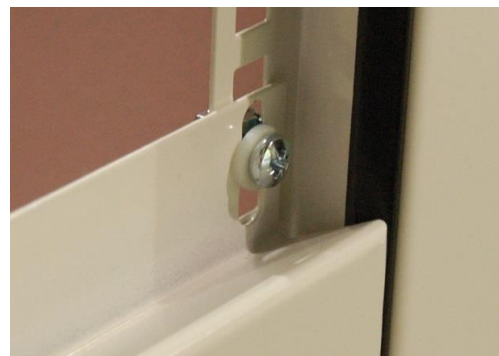
Upper Side Rail

1. Measure the space between the top of the fixed Side Rail and the ceiling. Subtract 30mm.
2. If necessary, cut two Side Rails to this length using suitable metal cutting disc.
3. Use the guides provided to set the upper Side Rails. There should be a 15mm gap between Side Rails, and a 15mm gap at the ceiling. Mark the fixing holes.
4. FOR MASONRY: drill 6mm holes to minimum 50mm deep and install the metal wall plugs provided.
FOR TIMBER: drill suitable pilot holes.
5. Fix the Side Rails using the special screws and 25mm diameter washers provided.
NOTE: Leave the two top fixings, these will be fitted later.



Lower Panel

1. Slide the **Lower Panel (3)** into position between the Side Rails and select a suitable hole on each side to fit a caged nut. If two positions are available, always choose the higher position.
2. Fix the panel into place using M5 screws and nylon washers (see photograph) – **DO NOT OVERTIGHTEN.**



Panel

1. You will have been provided with **Panels (5)**, **Vent Panels (6)** and/or **Access Panels (7)** as per your requirements. These can be fitted in any order.
2. Slide each panel into the Side Rails so that it rests on the top of the panel below.
3. Repeat the installation process using cage nuts, M5 screws and nylon washers – **DO NOT OVERTIGHTEN.**

Upper Panel

1. Slide the **Upper Panel (4)** into position, checking that there is a minimum 15mm gap between the panel and the ceiling.
2. If necessary, cut the panel using a suitable metal cutting disc.
3. Note: The Upper Panel is not mechanically fixed.

Lower Closing Angle

1. Identify the **Lower Closing Angle (8)**: dimensions 60 x 50mm.
2. Fix using the special screws and 25mm diameter washers provided. The intumescent seals on the Closing Angle **MUST** bear against a fixed solid floor.

Upper Closing Angle

1. Identify the **Upper Closing Angle (9)**: dimensions 75 x 50mm.
2. If the upper Side Rails have been cut, it may be necessary to drill holes for the Upper Closing Angle to be fixed through. Use the Closing Angle as a guide to mark the position, and drill 15mm diameter holes in the Side Rails.
3. Fix using the special screws and 25mm diameter washers provided. The intumescent seals on the Closing Angle **MUST** bear against a fixed solid ceiling.

Finishing

1. Screw the colour-matched cover caps onto all screws. Use rubber (or rubber palmed) gloves to aid grip and ensure that they are fully tightened.

Installation Video

For a more detailed installation guide, please follow the link below:
<https://www.youtube.com/watch?v=28YfjeWVYq8>