

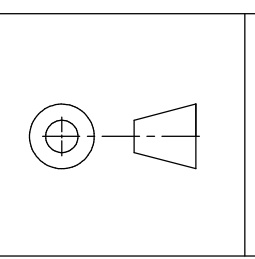
Unit Weight 12kg

DRAWN	Josh Eastham	DATE	27 . 11 . 2015
CHECKED	Mark Blease	DATE	27 . 11 . 2015
APPROVED	Mark Blease	DATE	27 . 11 . 2015

ISSUE	DATE	MOD. NO.	DRN



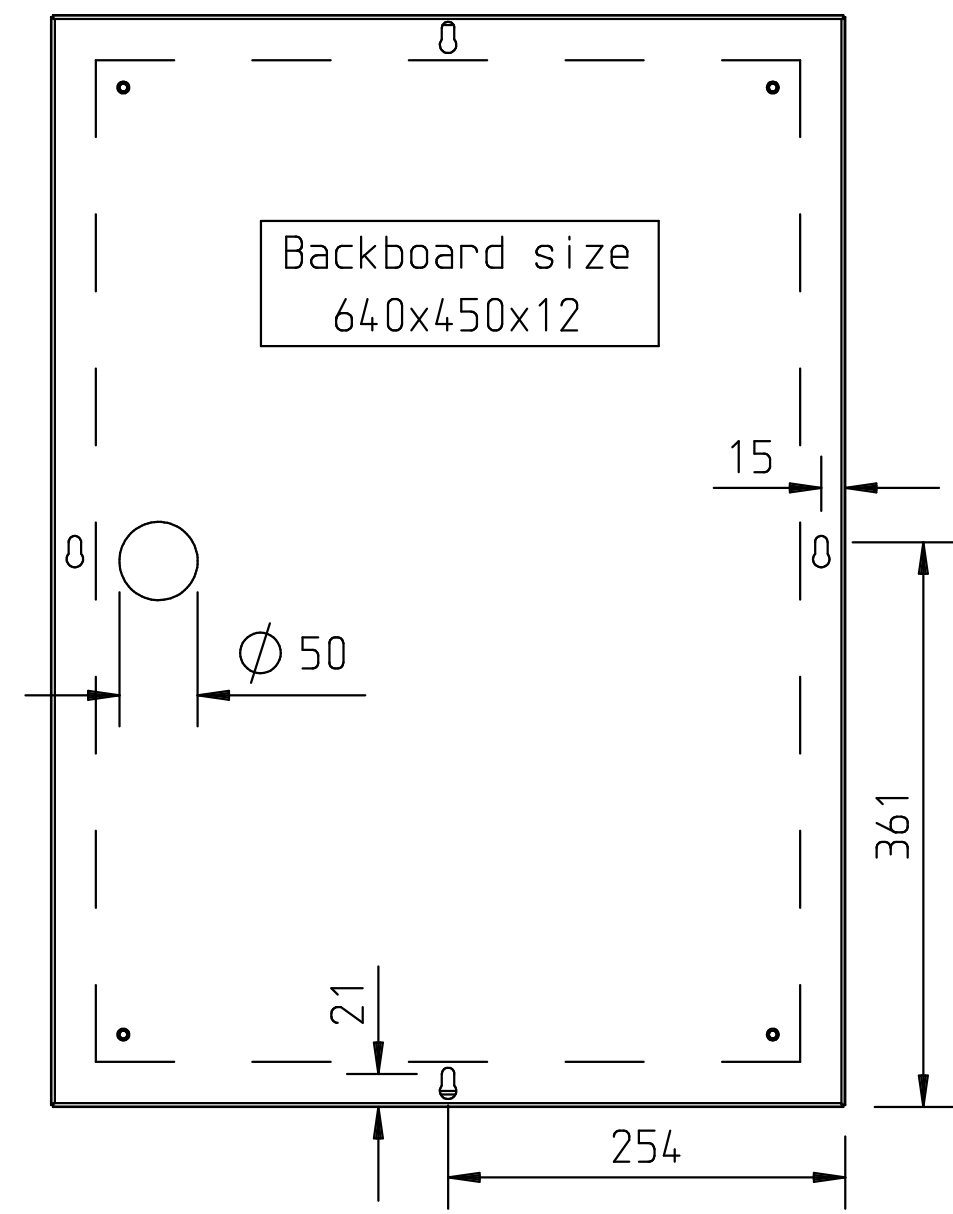
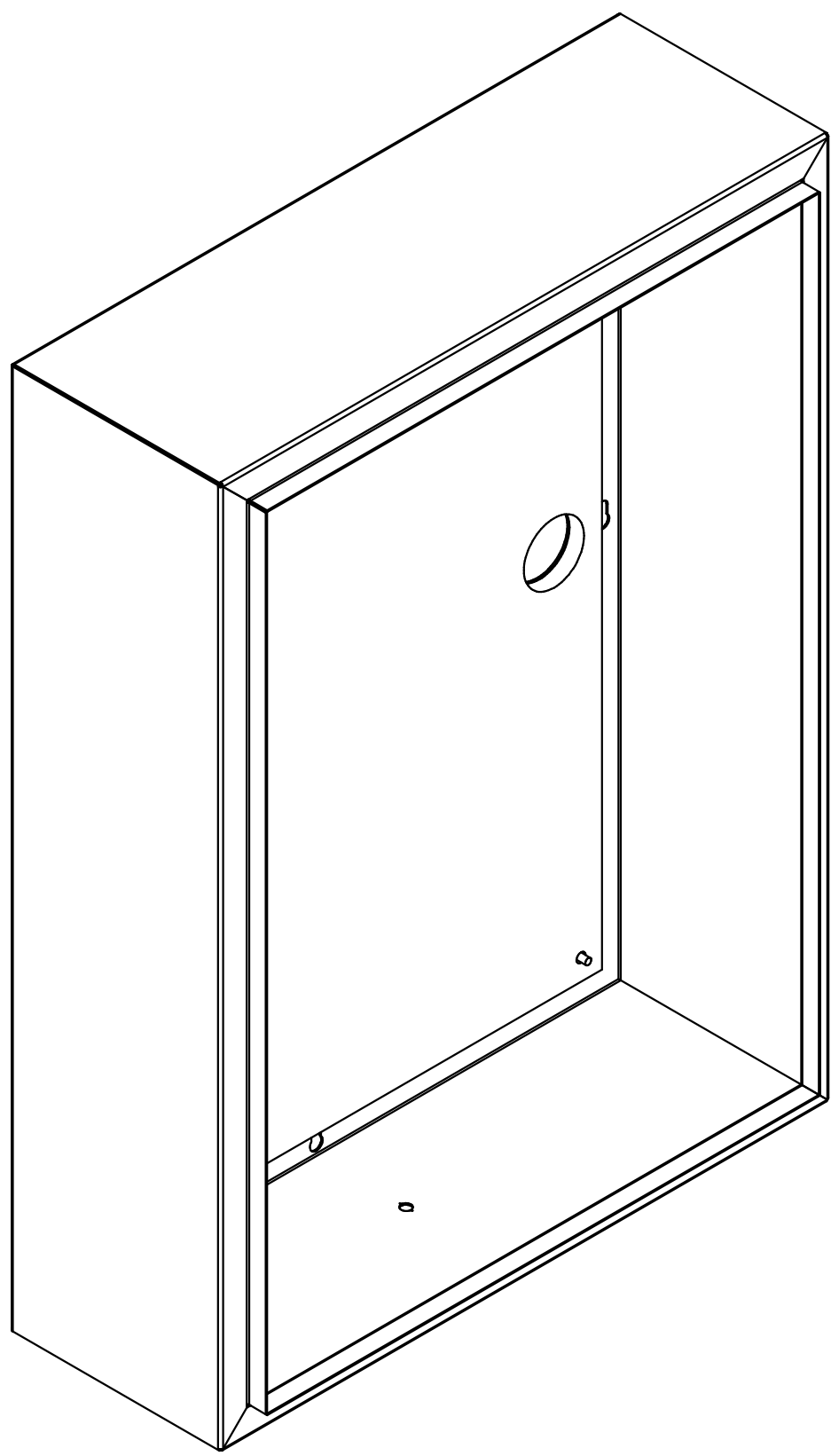
TOLERANCES
 WHOLE NUMBERS +/- 0.5
 1 DECIMAL PLACE +/- 0.2
 HOLES +/- 0.15
 UNLESS OTHERWISE STATED
 ALL OUTSIDE SIZES



MATERIAL
 1.2mm Stainless Steel

FINISH
 As Job Card

TITLE Large R16 Meter Box Electric			
SCALE NTS	DRAWING NO. S 9538	[SHEET] 1	ISSUE -

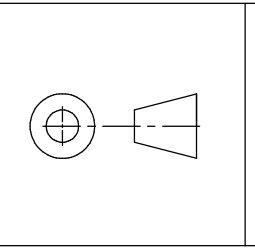


DRAWN	Josh Eastham	DATE	27 . 11 . 2015
CHECKED	Mark Blease	DATE	27 . 11 . 2015
APPROVED	Mark Blease	DATE	27 . 11 . 2015

ISSUE	DATE	MOD. NO.	DRN


 RITHERDON
 COPYRIGHT IS STRICTLY RESERVED

TOLERANCES
 WHOLE NUMBERS +/- 0.5
 1 DECIMAL PLACE +/- 0.2
 HOLES +/- 0.15
 UNLESS OTHERWISE STATED
ALL OUTSIDE SIZES



MATERIAL
 1.2mm Stainless Steel

FINISH
 As Job Card

TITLE Large R16 Meter Box Electric			
SCALE	DRAWING NO.	[SHEET]	ISSUE
NTS	S 9538	2	-