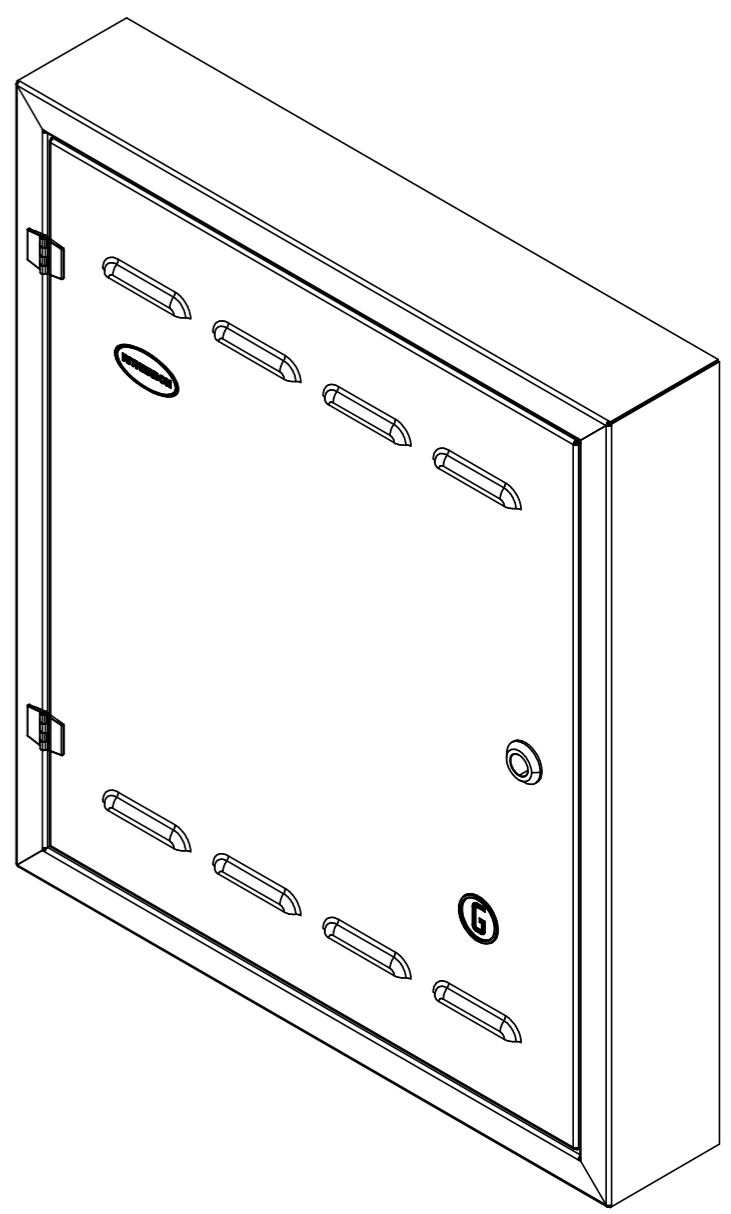
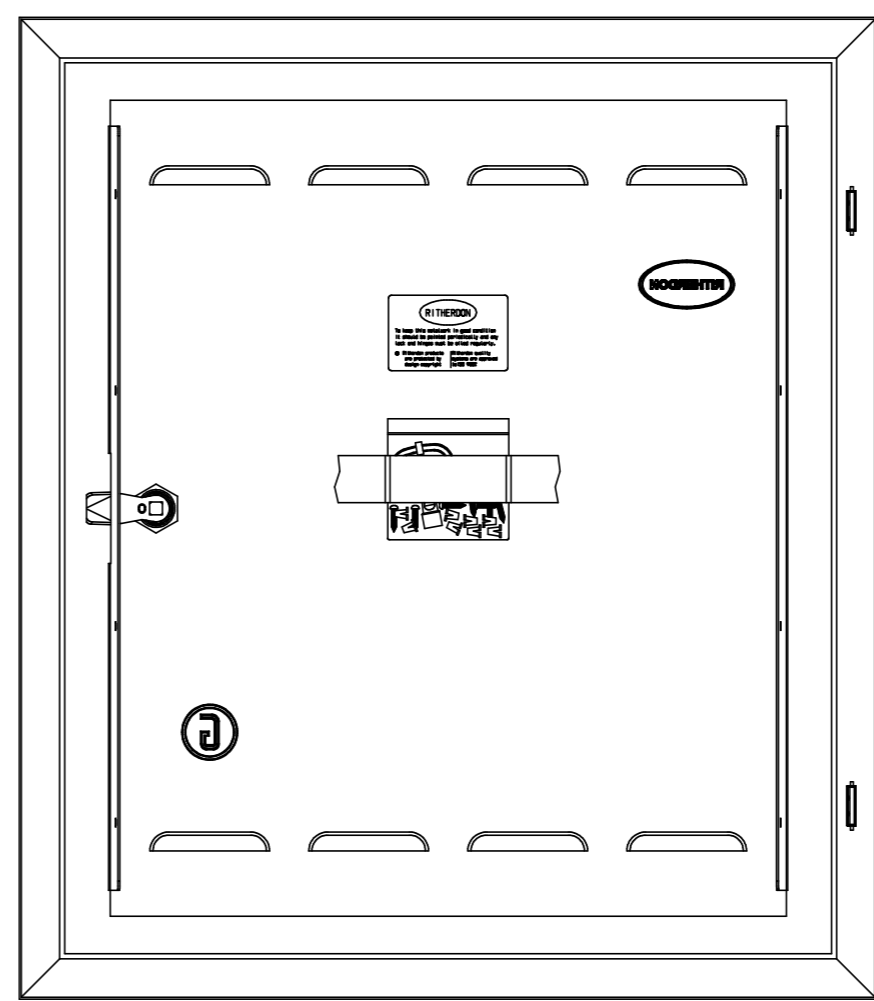
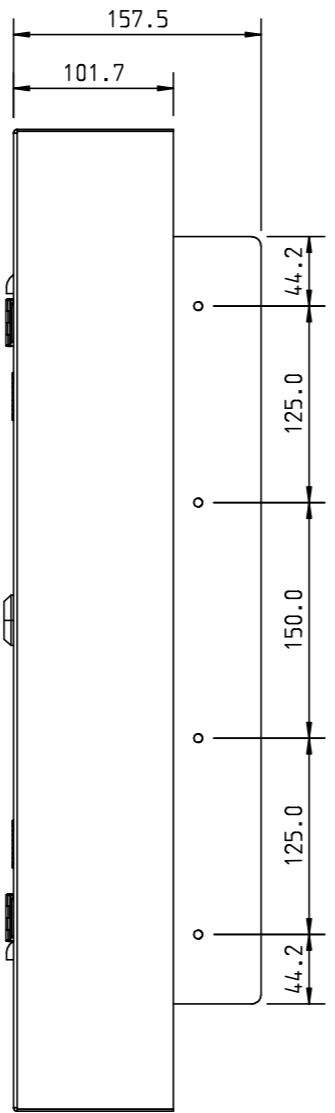
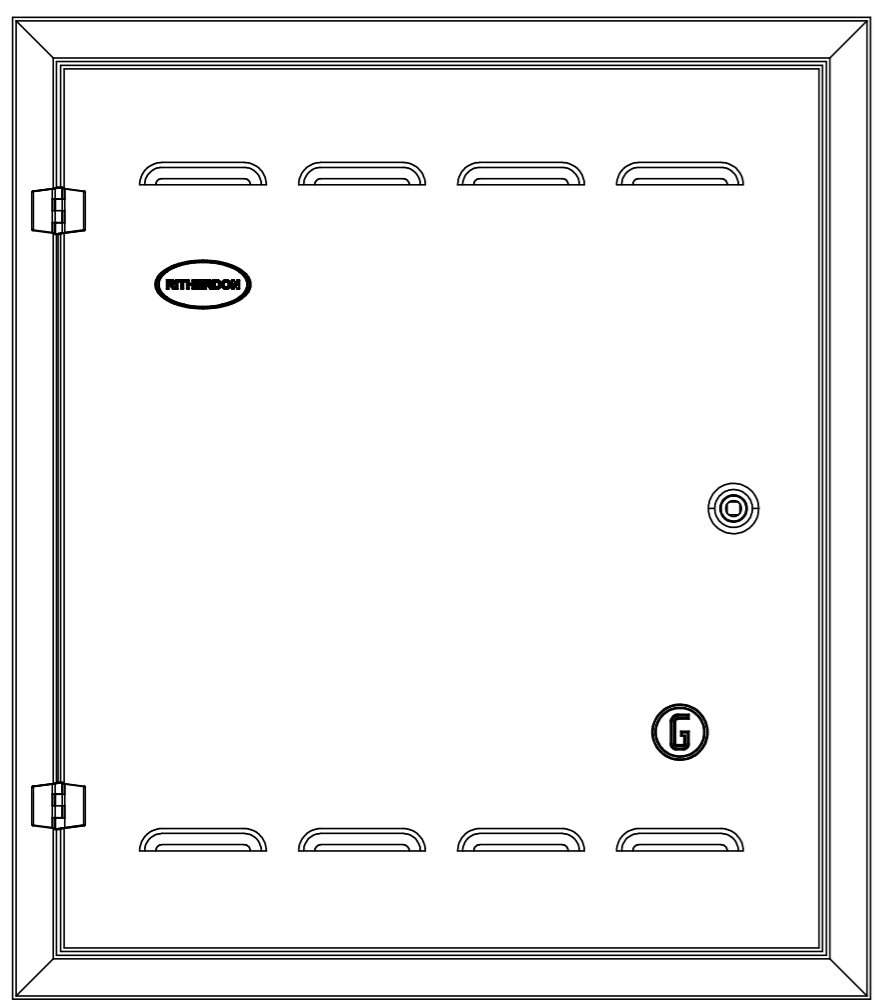
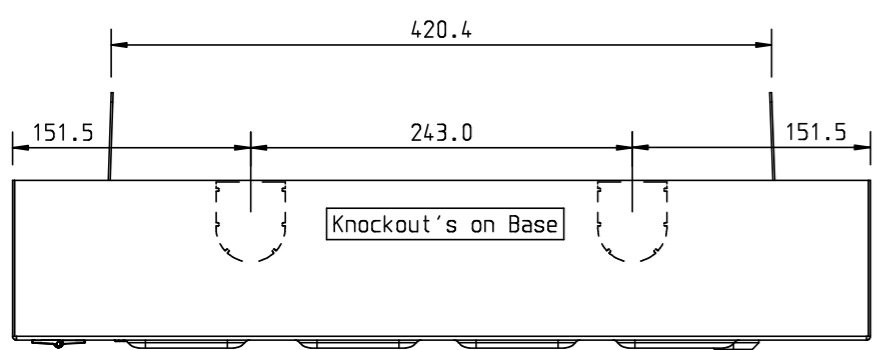


Unit Weight: 6.6kg

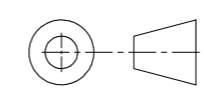


DRAWN	Josh Eastham	DATE	05 . 08 . 2021
CHECKED	Mark Blease	DATE	05 . 08 . 2021
APPROVED	Mark Blease	DATE	05 . 08 . 2021

ISSUE	DATE	MOD. NO.	DRN



TOLERANCES
 WHOLE NUMBERS +/- 0.5
 1 DECIMAL PLACE +/- 0.2
 HOLES +/- 0.15
 UNLESS OTHERWISE STATED
 ALL OUTSIDE SIZES



MATERIAL
 1.2mm Zintec

FINISH
 As Job Card

TITLE Special R7 Extra Deep Gas GA Drawing		[SHEET]	ISSUE
SCALE NTS	DRAWING NO. S 10056	5	-