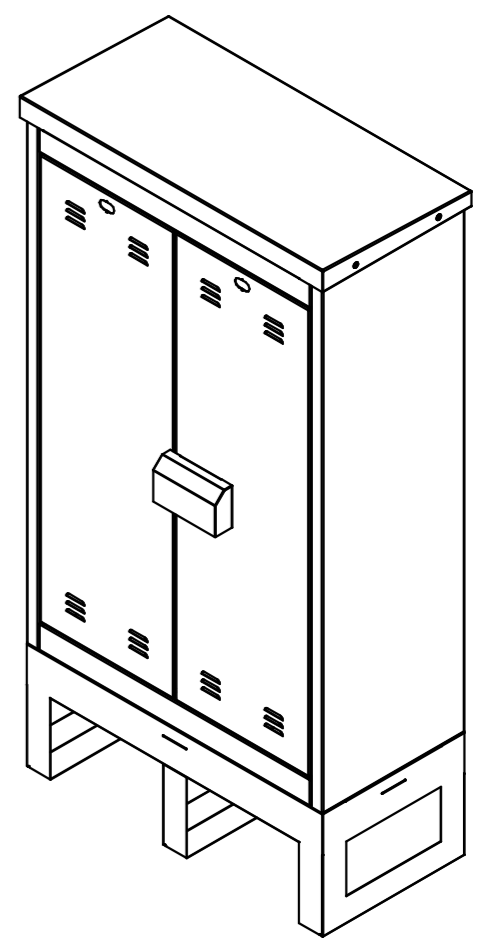
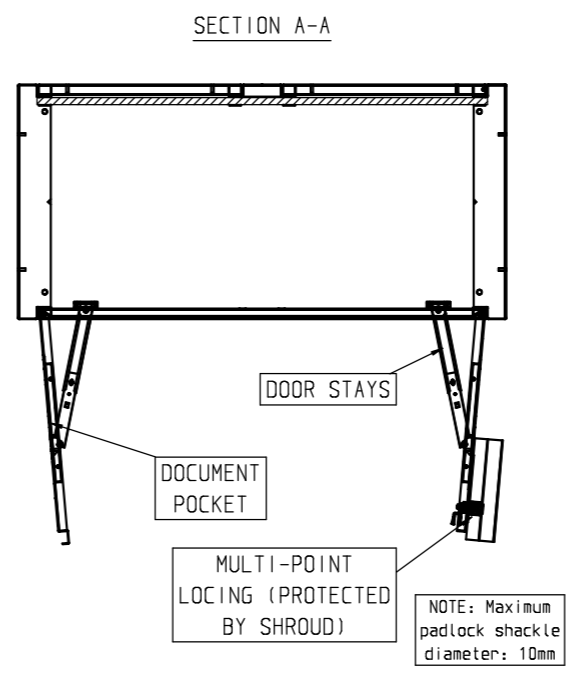
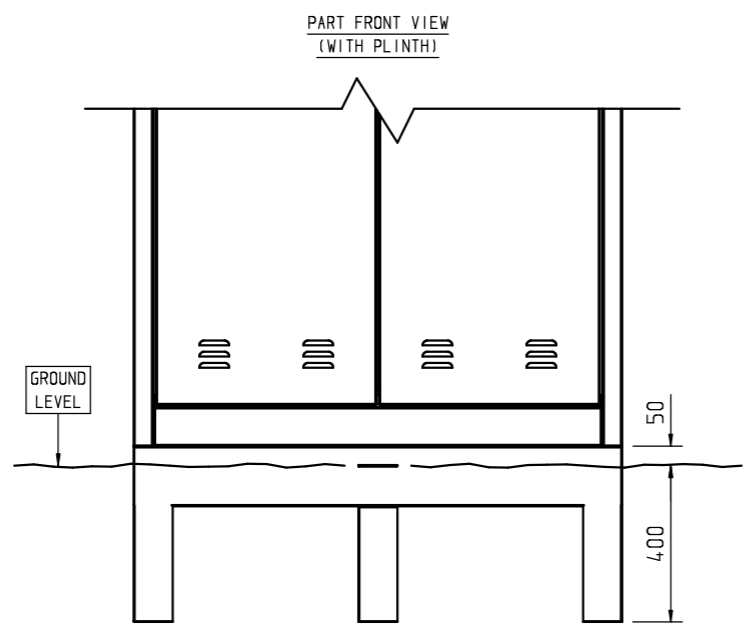


	Width	Depth	Backboard width
RMC1250	1250	600	1152
RMC1600	1600	800	1502
RMC2100	2100	800	2002



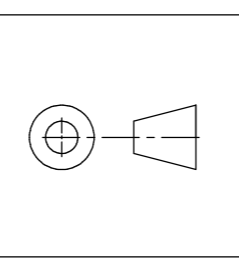
DRAWN	Mark Blease	DATE	21 . 03 . 2019
CHECKED	Brian Derbyshire	DATE	21 . 03 . 2019
APPROVED	Brian Derbyshire	DATE	21 . 03 . 2019

A	22/3/21	1309	MAB
ISSUE	DATE	MOD. NO.	DRN



TOLERANCES
 WHOLE NUMBERS +/- 0.5
 1 DECIMAL PLACE +/- 0.2
 HOLES +/- 0.15
 UNLESS OTHERWISE STATED

ALL OUTSIDE SIZES



MATERIAL

2mm Stainless Steel

FINISH

Polyester Powder Coated

TITLE		RMC Enclosures	
		General Arrangement	
SCALE	DRAWING NO.	[SHEET]	ISSUE
NTS	S 10072	19	A