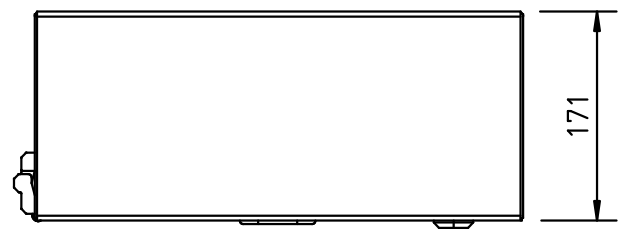
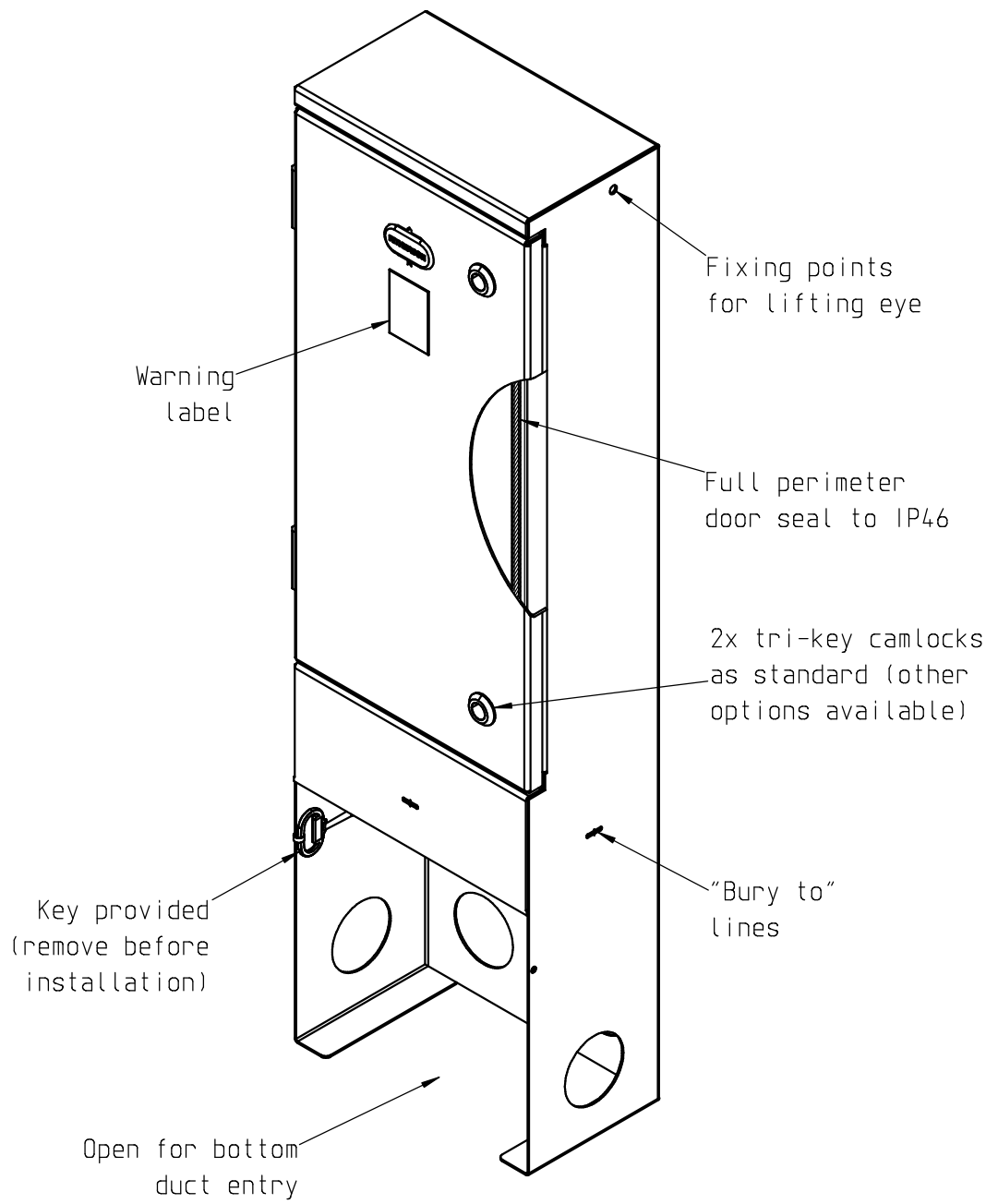
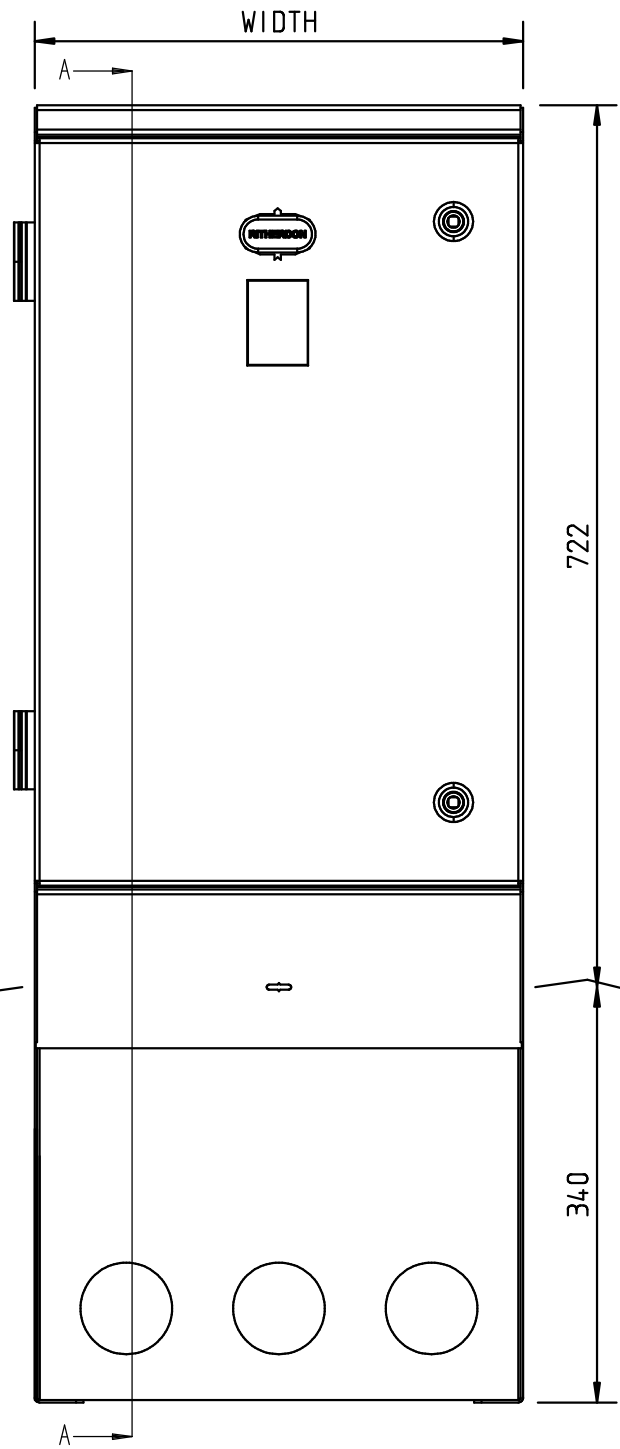
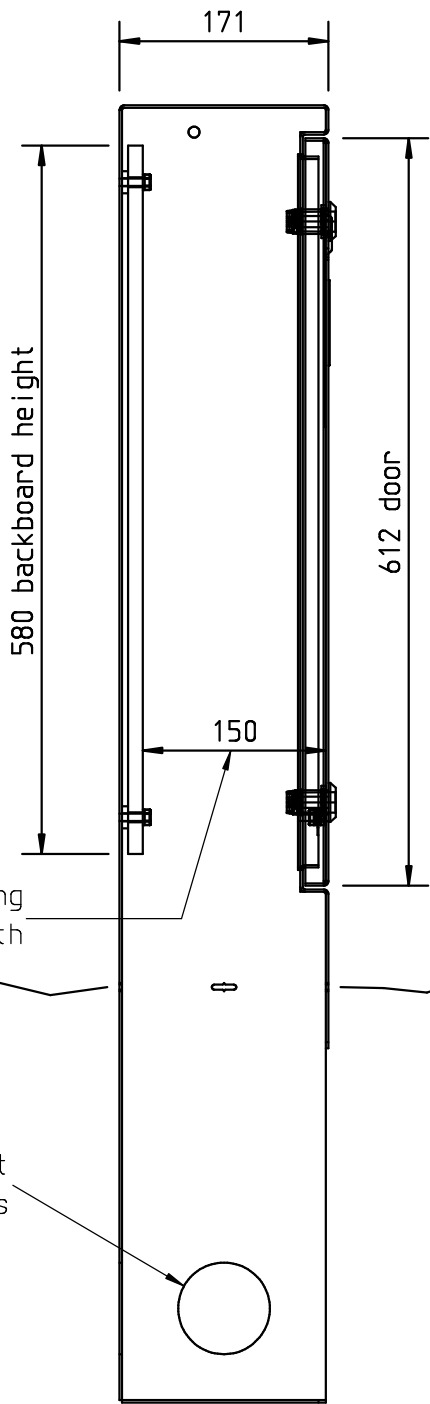


	Width	Backboard width
RH300	300	280
RH400	400	380
RH500	500	480



SECTION A-A

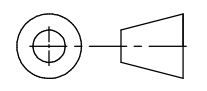


DRAWN	Mark Blease	DATE	13 . 06 . 2018
CHECKED	Brian Derbyshire	DATE	13 . 06 . 2018
APPROVED	Brian Derbyshire	DATE	13 . 06 . 2018

B	5/8/19	1177	MAB
A	24/6/19	1170	MAB
ISSUE	DATE	MOD. NO.	DRN



TOLERANCES  
 WHOLE NUMBERS +/- 0.5  
 1 DECIMAL PLACE +/- 0.2  
 HOLES +/- 0.15  
 UNLESS OTHERWISE STATED  
 ALL OUTSIDE SIZES



MATERIAL  
 2mm stainless steel

FINISH  
 As customer order

TITLE RH pillar range General Arrangement			
SCALE NTS	DRAWING NO. S 9905	[SHEET] 8	ISSUE B