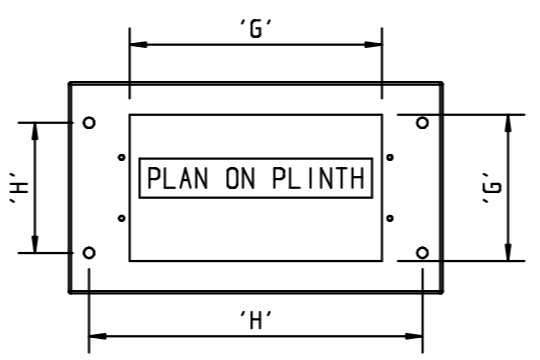
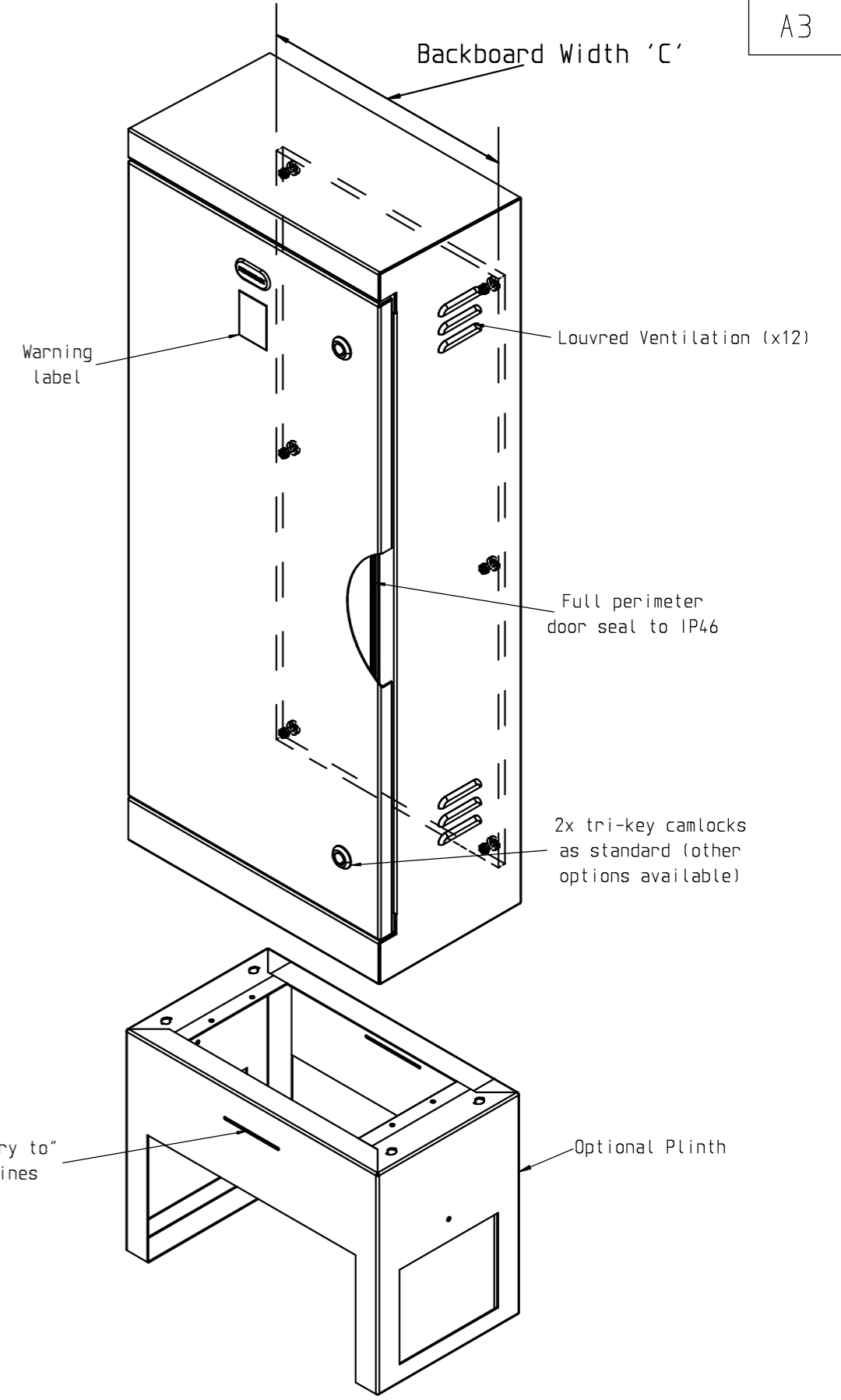
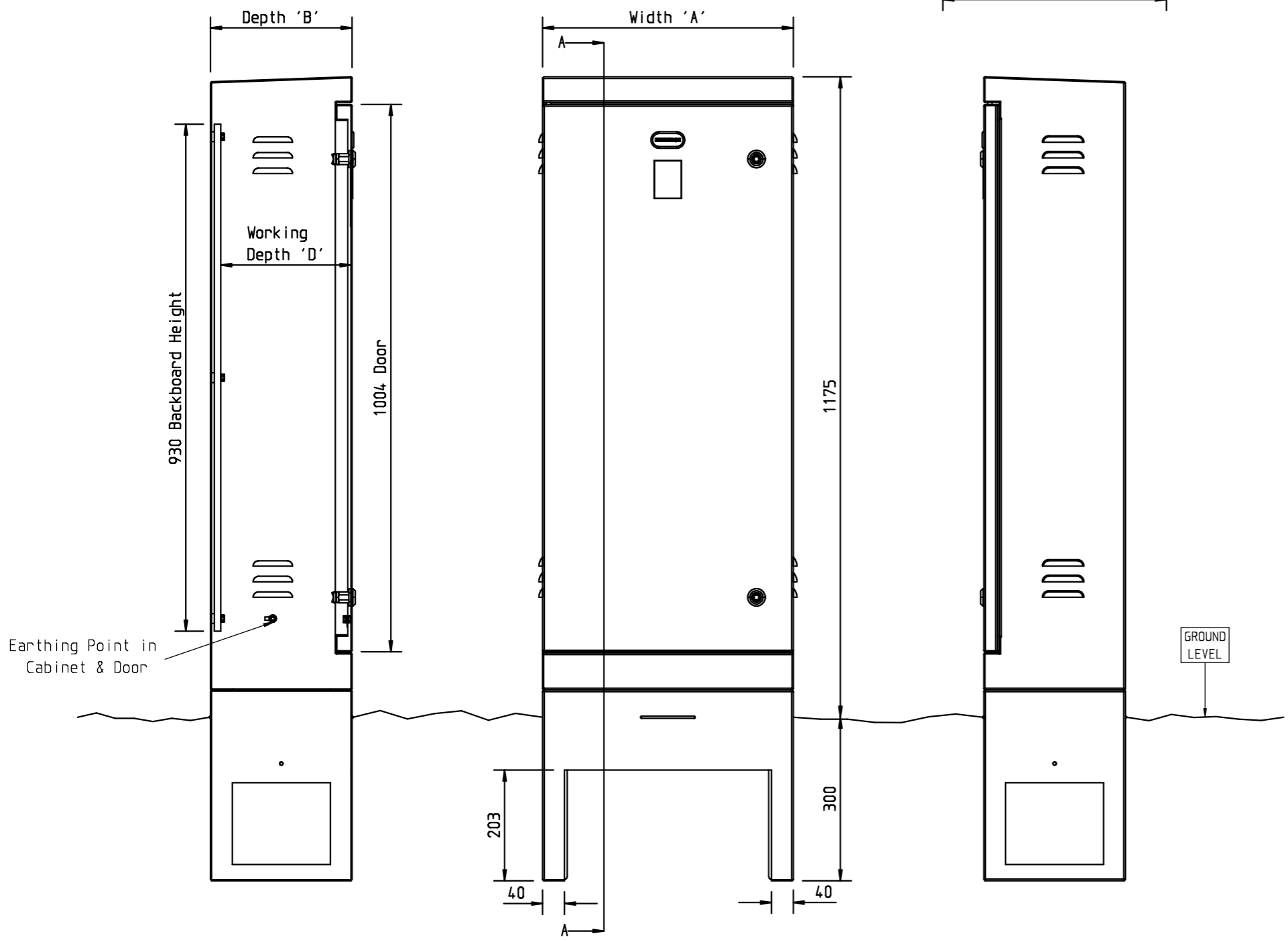


	A	B	C	D	E	F	G	H	H
	Cabinet Width	Cabinet Depth	Backboard Width	Working Depth	Cabinet Weight	Plinth Weight	Plinth Opening	Plinth Fixings	Plinth Fixings
RB460	460.0	260.0	405.0	239.0	30.0Kg	5.0Kg	310x180	410x160	
RB600	600.0	330.0	545.0	308.0	39.0Kg	6.0Kg	450x250	550x230	
RB800	800.0	380.0	745.0	358.0	54.0Kg	8.0Kg	650x300	750x280	
RB1000	1000.0	380.0	945.0	358.0	60.0Kg	9.0Kg	850x300	950x280	



Section View on A-A



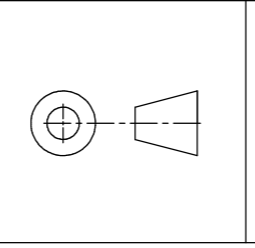
DRAWN	Josh Eastham	DATE	21 . 06 . 2018
CHECKED	Mark Blease	DATE	21 . 06 . 2018
APPROVED	Mark Blease	DATE	21 . 06 . 2018

ISSUE	DATE	MOD. NO.	DRN



TOLERANCES
WHOLE NUMBERS +/- 0.5
1 DECIMAL PLACE +/- 0.2
HOLES +/- 0.15
UNLESS OTHERWISE STATED

ALL OUTSIDE SIZES



MATERIAL
2mm Stainless Steel

FINISH
As Job Card

TITLE RB Single Door Cabinet General Arrangment			
SCALE	DRAWING NO.	[SHEET]	ISSUE
NTS	S 9207	6	-