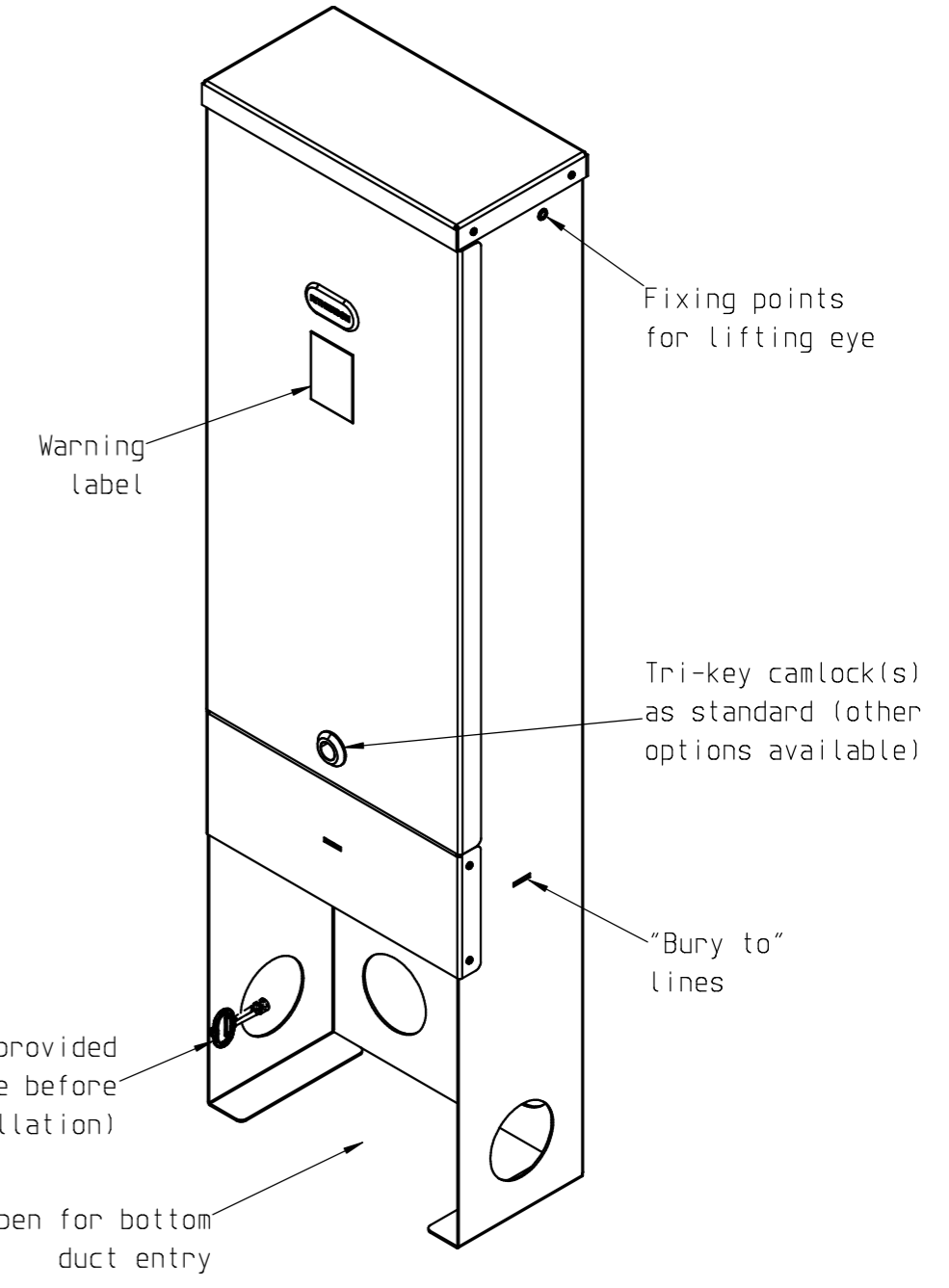
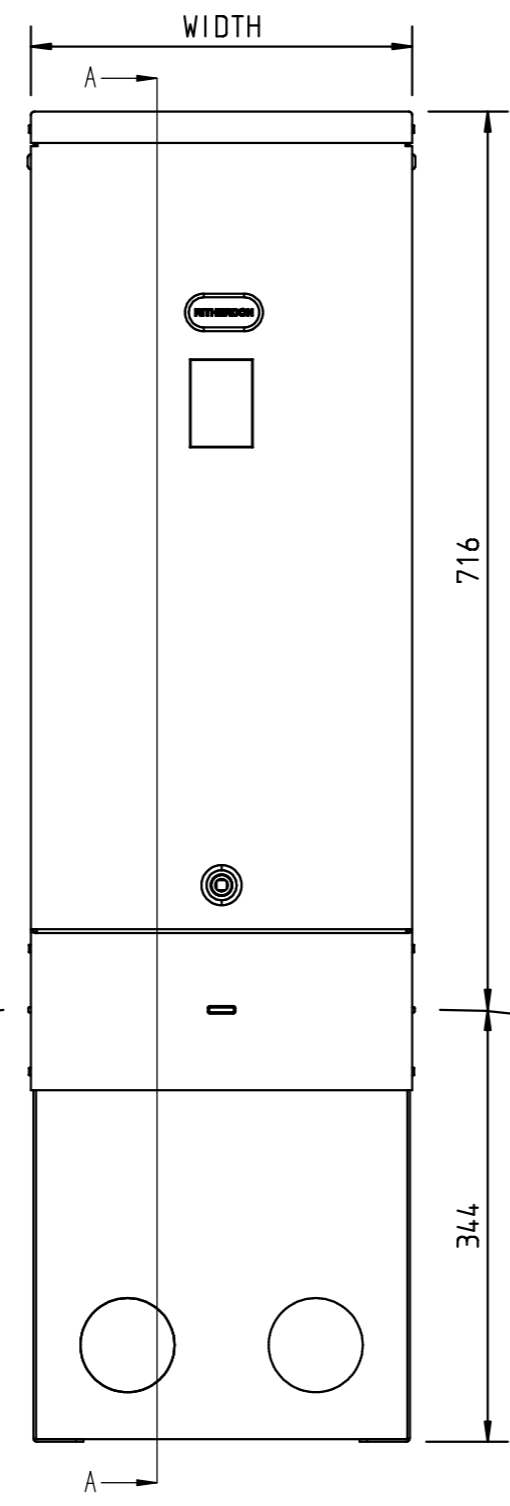
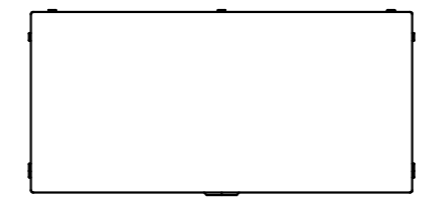
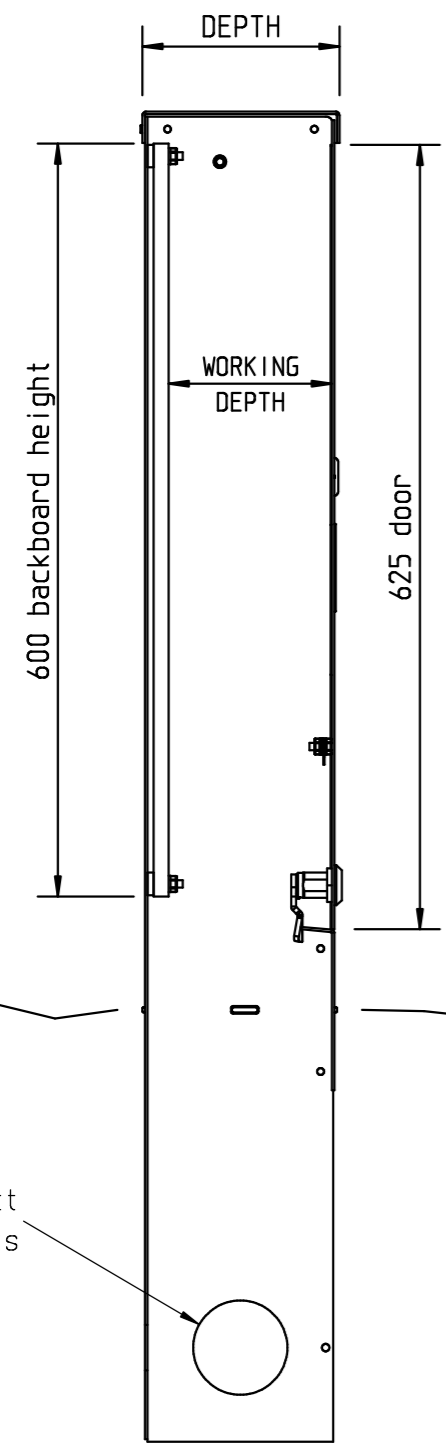


	Width	Depth	Working depth	Backboard width	Number of locks
R150	154	144	117	130	1
R300	304	157	130	280	1
R460	464	237	210	440	2

SECTION A-A



75mm ϕ duct entry points

GROUND LEVEL

DRAWN	Josh Eastham	DATE	02 . 02 . 2018
CHECKED	Mark Blease	DATE	02 . 02 . 2018
APPROVED	Mark Blease	DATE	02 . 02 . 2018

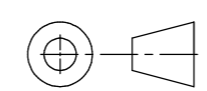
D	11/02/20	1209	MAB
C	24/01/20	1209	MAB
B	16/10/18	1127	JE
A	17/05/18	1049	JE
ISSUE	DATE	MOD. NO.	DRN



COPYRIGHT IS STRICTLY RESERVED

TOLERANCES
 WHOLE NUMBERS +/- 0.5
 1 DECIMAL PLACE +/- 0.2
 HOLES +/- 0.15
 UNLESS OTHERWISE STATED

ALL OUTSIDE SIZES



MATERIAL	Stainless Steel
FINISH	Powder Coated

TITLE R Pillar range General Arrangement			
SCALE	DRAWING NO.	[SHEET]	ISSUE
NTS	S 9913	7	D